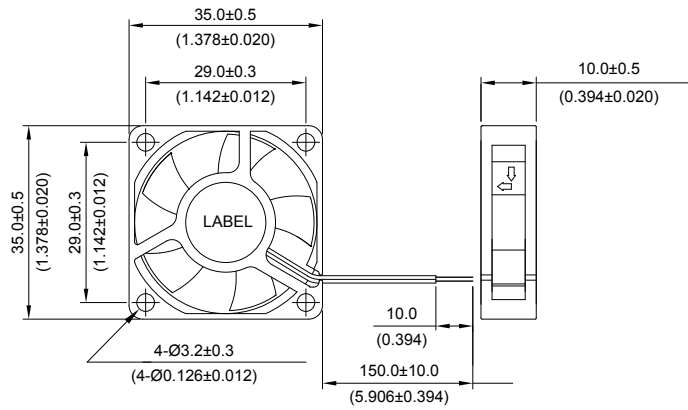


*New*



# ASB 35 x 35 x 10 MM SERIES

## DIMENSIONS DRAWING

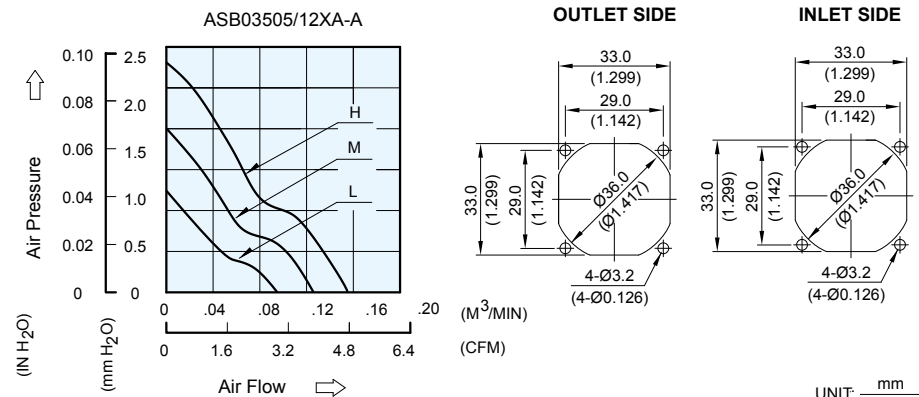


UNIT:  $\frac{\text{mm}}{\text{(INCH)}}$

- \* Bearing Type  
Sleeve Bearing
- \* Material  
Impeller & Frame : Plastic (UL 94V-0)
- \* Lead Wires :  
UL 1061 AWG #26 OR Equivalent  
Red Wire Positive (+)  
Black Wire Negative(-)
- \* Weight : 10g (0.35 oz)
- \* Rib Type Only

## P & Q CURVE (AT RATED VOLTAGE)

## MOUNTING PANEL CUTOUT



UNIT:  $\frac{\text{mm}}{\text{(INCH)}}$

MODEL			Rated Voltage	Operating Voltage Range	Rated Current	Rated Input Power	Speed	Maximum Air Flow		Maximum Air Pressure		Noise
PART NO.	REV.	FUNCTION	VDC	VDC	Amp	Watt	R.P.M.	m <sup>3</sup> /min	CFM	mmH <sub>2</sub> O	IN H <sub>2</sub> O	dB-A
ASB03505LA	-A	-R00 / -F00	5	4.5 to 5.5	0.06	0.30	4500	0.095	3.35	1.24	0.049	15.0
ASB03505MA	-A	-R00 / -F00	5	4.5 to 5.5	0.08	0.40	5800	0.127	4.50	2.00	0.079	18.5
ASB03512MA	-A	-R00 / -F00	12	7.0 to 13.8	0.05	0.60						
ASB03505HA	-A	-R00 / -F00	5	4.5 to 5.5	0.10	0.50	7000	0.156	5.50	2.75	0.108	22.0
ASB03512HA	-A	-R00 / -F00	12	7.0 to 13.8	0.06	0.72						

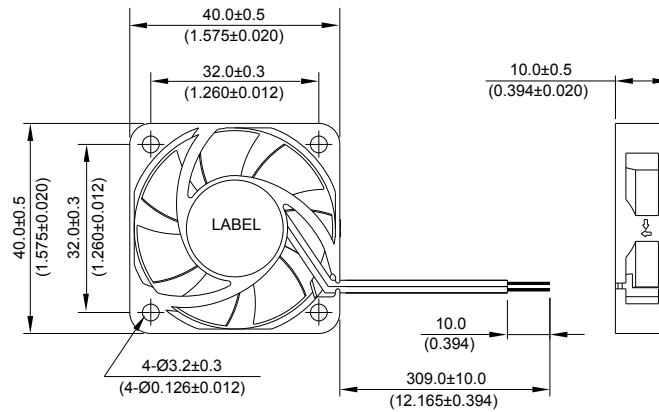
- \* Function type is optional.
- \* The max. air flow and the speed are measured in free air ; max. air pressure is measured at zero air flow.
- \* Noise is measured in anechoic chamber in free air, one meter from intake side.
- \* All readings are typical values at rated voltage.
- \* Specifications are subject to change without notice.

*New*



# ASB 40 x 40 x 10 MM SERIES

## DIMENSIONS DRAWING

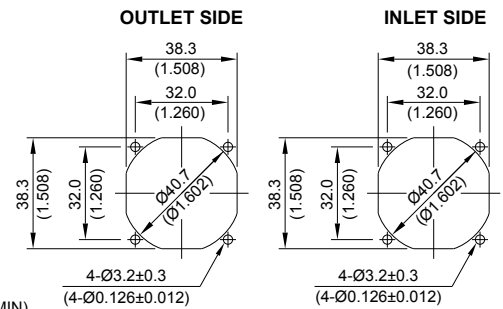
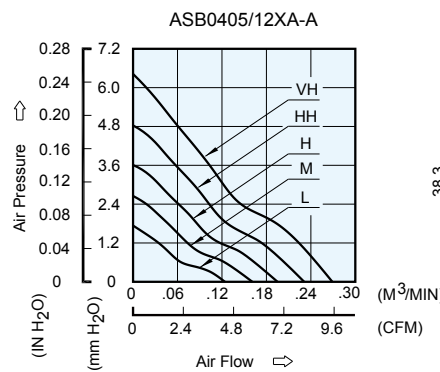


UNIT:  $\frac{\text{mm}}{\text{(INCH)}}$

- \* Bearing Type  
Sleeve Bearing
- \* Material  
Impeller & Frame : Plastic (UL 94V-0)
- \* Lead Wires :  
UL 1007 AWG #28 OR Equivalent  
Red Wire Positive (+)  
Black Wire Negative(-)
- \* Weight : 13.5g (0.49 oz)
- \* Rib Type Only

## P & Q CURVE (AT RATED VOLTAGE)

## MOUNTING PANEL CUTOUT



UNIT:  $\frac{\text{mm}}{\text{(INCH)}}$

MODEL			Rated Voltage	Operating Voltage Range	Rated Current	Rated Input Power	Speed	Maximum Air Flow		Maximum Air Pressure		Noise
PART NO.	REV.	FUNCTION	VDC	VDC	Amp	Watt	R.P.M.	m <sup>3</sup> /min	CFM	mmH <sub>2</sub> O	IN H <sub>2</sub> O	dB-A
ASB0405LA	-A	-R00 / -F00	5	4.0 to 5.5	0.05	0.25	4000	0.124	4.39	1.73	0.068	15.0
ASB0412LA	-A	-R00 / -F00	12	9.0 to 13.8	0.03	0.36						
ASB0405MA	-A	-R00 / -F00	5	4.5 to 5.5	0.07	0.35	5000	0.161	5.67	2.65	0.104	20.5
ASB0412MA	-A	-R00 / -F00	12	7.0 to 13.8	0.04	0.48						
ASB0405HA	-A	-R00 / -F00	5	4.5 to 5.5	0.10	0.50	6000	0.195	6.90	3.60	0.140	26.0
ASB0412HA	-A	-R00 / -F00	12	7.0 to 13.8	0.05	0.60						
ASB0405HHA	-A	-R00 / -F00	5	4.5 to 5.5	0.13	0.65	7000	0.231	8.15	4.83	0.190	29.5
ASB0412HHA	-A	-R00 / -F00	12	7.0 to 13.8	0.06	0.72						
ASB0405VHA	-A	-R00 / -F00	5	4.5 to 5.5	0.16	0.80	8000	0.269	9.50	6.42	0.253	32.5
ASB0412VHA	-A	-R00 / -F00	12	7.0 to 13.8	0.08	0.96						

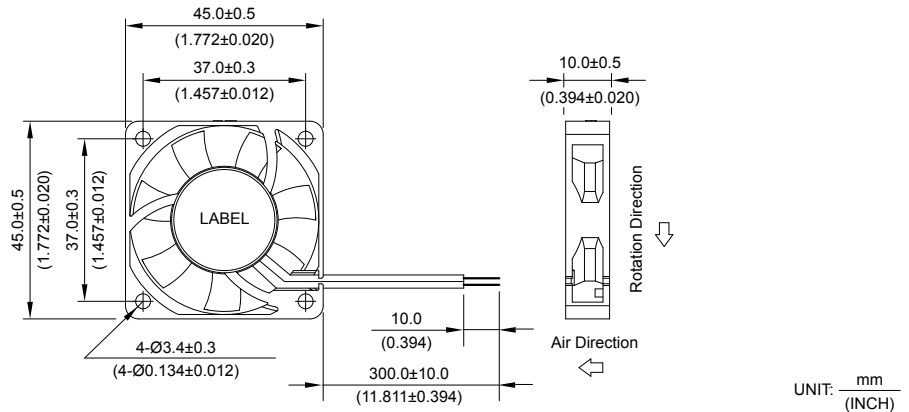
\* Function type is optional.  
 \* The max. air flow and the speed are measured in free air ; max. air pressure is measured at zero air flow.  
 \* Noise is measured in anechoic chamber in free air, one meter from intake side.  
 \* All readings are typical values at rated voltage.  
 \* Specifications are subject to change without notice.

*New*



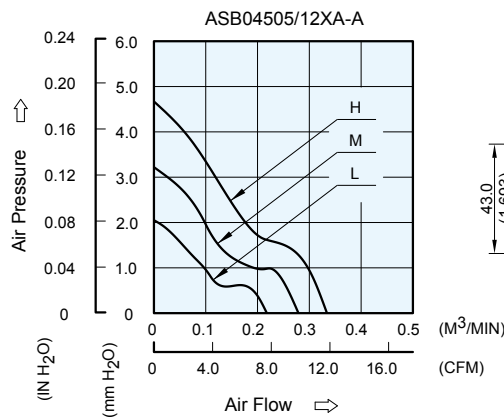
# ASB 45 x 45 x 10 MM SERIES

## ■ DIMENSIONS DRAWING

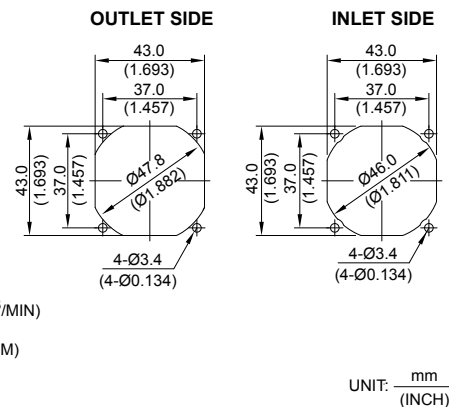


- \* Bearing Type  
Sleeve Bearing
- \* Material  
Impeller & Frame : Plastic (UL 94V-0)
- \* Lead Wires :  
UL 1007 AWG #28 OR Equivalent  
Red Wire Positive (+)  
Black Wire Negative(-)
- \* Weight : 15.7g (0.55 oz)
- \* Rib Type Only

## ■ P & Q CURVE (AT RATED VOLTAGE)



## ■ MOUNTING PANEL CUTOUT



MODEL			Rated Voltage	Operating Voltage Range	Rated Current	Rated Input Power	Speed	Maximum Air Flow		Maximum Air Pressure		Noise
PART NO.	REV.	FUNCTION	VDC	VDC	Amp	Watt	R.P.M.	m <sup>3</sup> /min	CFM	mmH <sub>2</sub> O	IN H <sub>2</sub> O	dB-A
ASB04505LA	-A	-R00 / -F00	5	4.0 to 5.5	0.11	0.55	4000	0.218	7.70	2.05	0.081	24.5
ASB04512LA	-A	-R00 / -F00	12	9.0 to 13.8	0.06	0.72						
ASB04505MA	-A	-R00 / -F00	5	4.0 to 5.5	0.17	0.85	5000	0.279	9.85	3.22	0.127	30.0
ASB04512MA	-A	-R00 / -F00	12	7.0 to 13.8	0.09	1.08						
ASB04505HA	-A	-R00 / -F00	5	4.0 to 5.5	0.27	1.35	6000	0.334	11.80	4.67	0.184	34.5
ASB04512HA	-A	-R00 / -F00	12	7.0 to 13.8	0.12	1.44						

\* Function type is optional.  
 \* The max. air flow and the speed are measured in free air ; max. air pressure is measured at zero air flow.  
 \* Noise is measured in anechoic chamber in free air, one meter from intake side.  
 \* All readings are typical values at rated voltage.  
 \* Specifications are subject to change without notice.